



For 40 years...

Portable Conveyor



- *Light weight yet rugged. Steel truss frame.*
- *Available lengths: 12' - 16' - 20' - 24' - 28' - 32'.*
- *Optional trailer kit for added versatility.*

Modular Conveyor

Protection guard not shown



Low maintenance direct drive



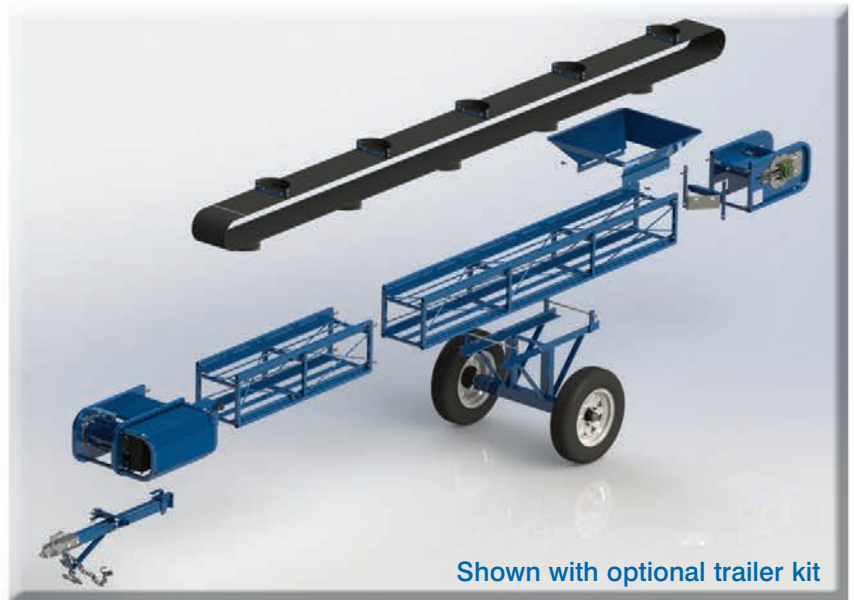
Easy belt tensioning

Easy assembly modular design for added shipping and storage convenience

Features

- All steel construction
- 10" wide heavy duty 3 ply belt with 2" high rubber buckets
- Electric motor, 1 1/2 H.P. 120 volts, frame 145T motor (C.S.A. and U.L. approved)
- Size 70 gearbox speed reducer
- Constant belt speed of 160 feet / minute
- Simple and easy belt tension adjustment

Model	Length	Weight
CONV-12	12'	420 lbs
CONV-16	16'	510 lbs
CONV-20	20'	570 lbs
CONV-24	24'	650 lbs
CONV-28	28'	700 lbs
CONV-32	32'	830 lbs



Shown with optional trailer kit

To order or for information:

1361, 7e rang, Wickham (Quebec) Canada J0C 1S0
 Tel.: (819) 398-7729 info@clairco.com
 Fax: (819) 398-7730 www.clairco.com

Toll Free

1-800-567-0981

Clairco is a division of Équipements Mathieu inc.



Distributed by